

## **TECHNICAL SPECIFICATION**

### **Fixed industrial sockets HT type, IP44**

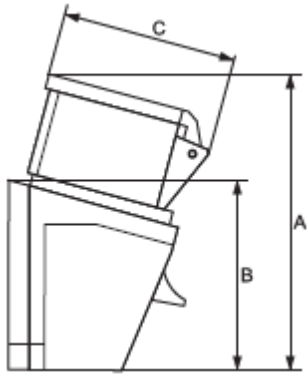
#### **Description:**

Made of special high quality plastic with alloys against aging at sun light exposing and for increasing the mechanical strength. They are designed in accordance with standard EN 60309 and provide reliable connection and high protection level against electrical current. They provide IP protection not less than IP 44. They are designed for surface or flush mounting, movable or fixed type.

#### **Technical data:**

- Rated voltage: 500V
- Rated short circuit current: according to the mounted protection in the boards
- Impulse voltage wear resistance: 8kV
- Mechanical wear resistance: 3000 cycles
- IP code: IP 44
- Plastic: UV rays wear resistance
- Ambient temperature: -5 to +65°C
- Altitude: up to 2000m
- Plugs and sockets: 6h

## Variants and dimensions:



Model	In (A)	Poles	Un (V)	Dimensions (mm) A / C	IP code	Packing / Box	Catalogue number
HT - 113	16	1P+N+E	230	126 / 86	44	2 / 10 / 60	37113
HT - 123	32	1P+N+E	230	141 / 97	44	2 / 10 / 60	37123



Model	In (A)	Poles	Un (V)	Dimensions (mm) A / C	IP code	Packing / Box	Catalogue number
HT - 114	16	3P+E	400	132 / 91	44	2 / 10 / 60	37114
HT - 124	32	3P+E	400	141 / 96	44	2 / 10 / 60	37124
HT - 134	63	3P+E	400	193 / 122	44	2 / 10	37134
HT - 144	125	3P+E	400	220 / 140	44	2 / 10	37144



Model	In (A)	Poles	Un (V)	Dimensions (mm) A / C	IP code	Packing / Box	Catalogue number
HT – 115	16	3P+N+E	400	129 / 96	44	2 / 10 / 60	37115
HT – 125	32	3P+N+E	400	141 / 98	44	2 / 10 / 60	37125
HT – 135	63	3P+N+E	400	193 / 122	44	2 / 10	37135
HT – 145	125	3P+N+E	400	220 / 140	44	2 / 10	37145

**Standards:**

EN 60309-1

EN 60309-2

